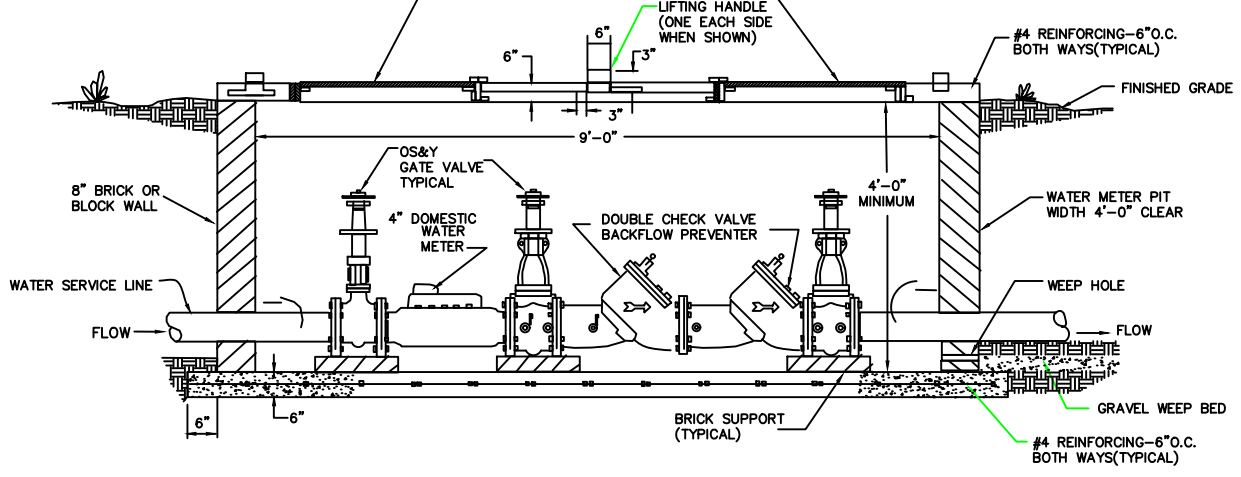


DETAIL "A"

22"x22" HINGED ACCESS DOOR WITH ANGLE FRAME, SEE DETAIL "A"
 STEEL DOOR WITH BEAM - WATER METER & DOUBLE CHECK VALVE PIT



CITY OF CORDELE, GEORGIA - STANDARD DETAIL
WATER METER & DOUBLE CHECK VALVE PIT

DETAIL NO:
 W-009
 DATE: