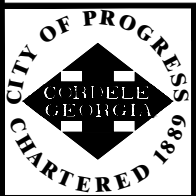
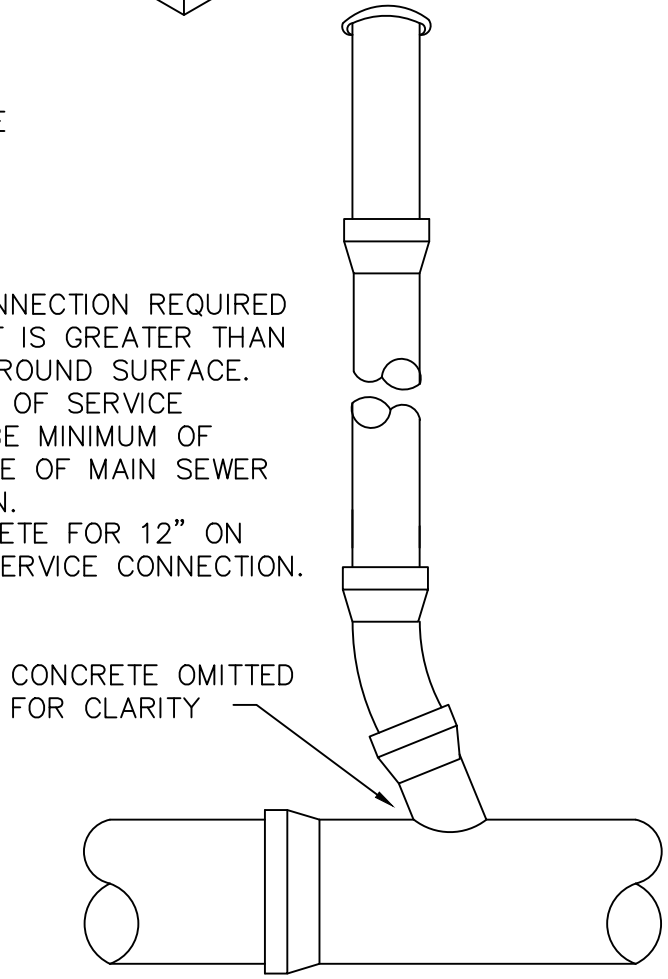
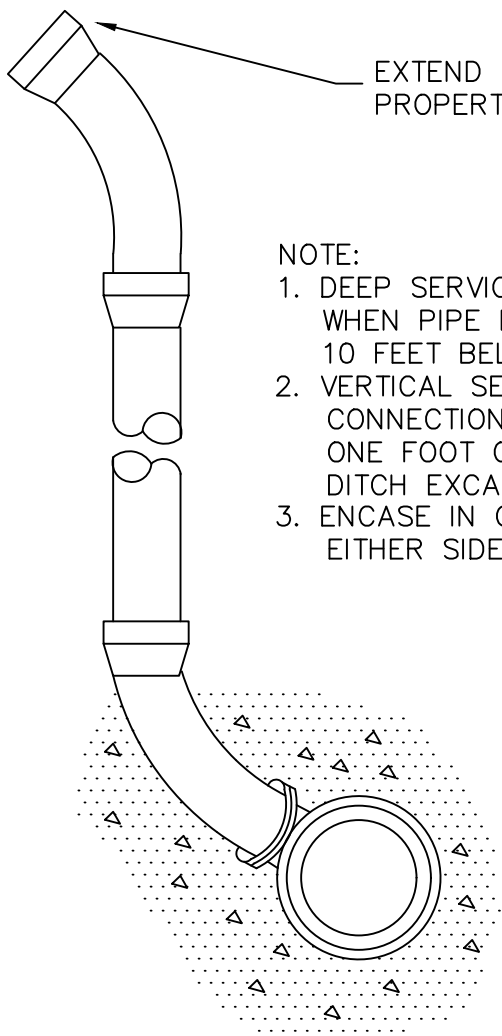


- NOTE:
1. DEEP SERVICE CONNECTION REQUIRED WHEN PIPE INVERT IS GREATER THAN 10 FEET BELOW GROUND SURFACE.
 2. VERTICAL SECTION OF SERVICE CONNECTION TO BE MINIMUM OF ONE FOOT OUTSIDE OF MAIN SEWER DITCH EXCAVATION.
 3. ENCASE IN CONCRETE FOR 12" ON EITHER SIDE OF SERVICE CONNECTION.



CITY OF CORDELE, GEORGIA - STANDARD DETAIL

DEEP SERVICE CONNECTION

DETAIL NO:

S-009

DATE: