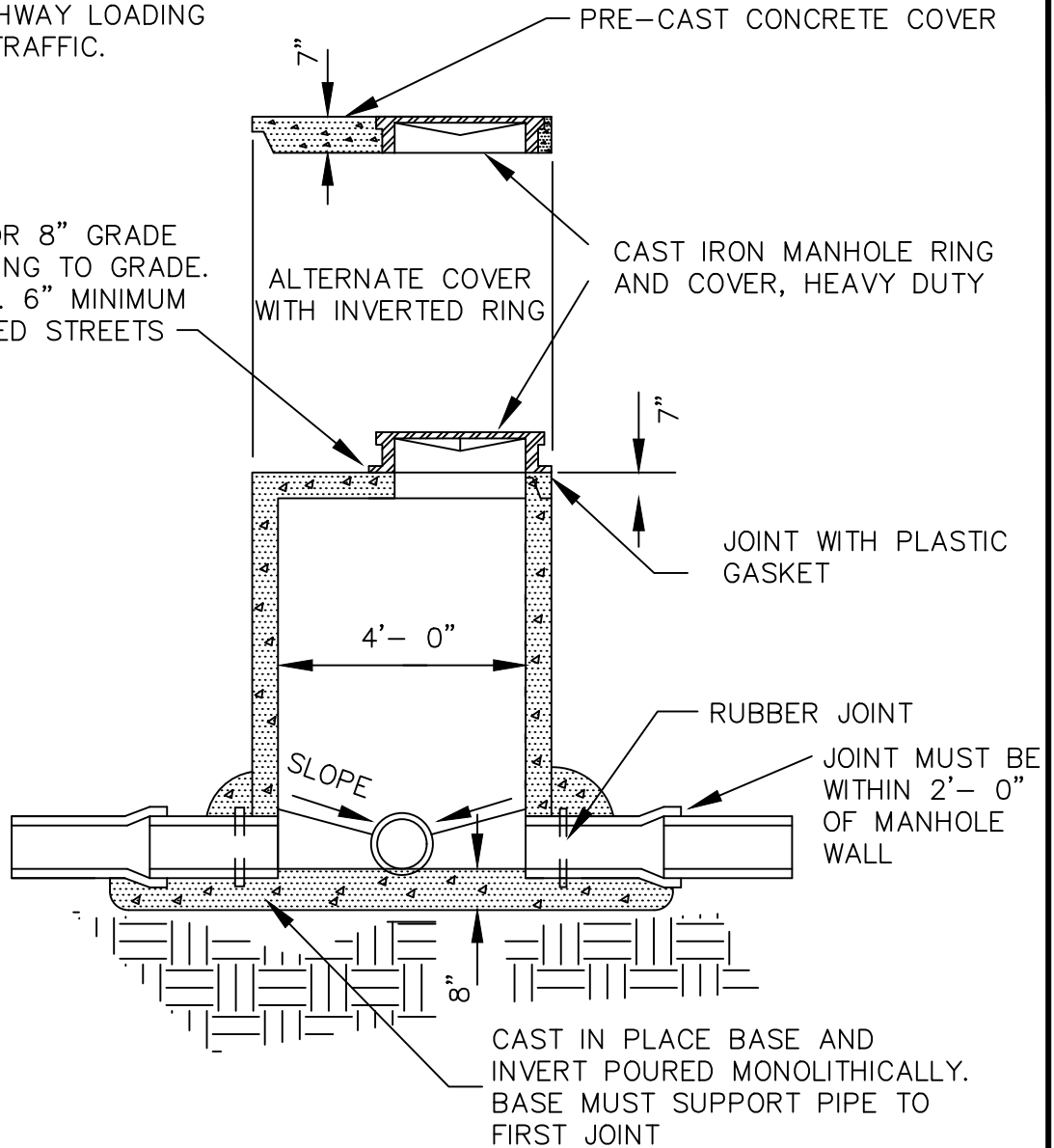


NOTE: TOP MUST BE DESIGNED & CONSTRUCTED TO MEET HIGHWAY LOADING FOR TRUCK TRAFFIC.

USE 4", 6" OR 8" GRADE RINGS TO BRING TO GRADE. 12" MAXIMUM. 6" MINIMUM IN UNIMPROVED STREETS



NOTE:
 WHERE TAPS ENTER MANHOLE, NEOPRENE BOOT OR OTHER APPROVED SEALING METHOD REQUIRED.
 NEOPRENE BOOT OR OTHER APPROVE SEALING METHOD REQUIRED AT PIPE ENTRY.



CITY OF CORDELE, GEORGIA - STANDARD DETAIL

SHALLOW MANHOLE

DETAIL NO:

S-006

DATE: