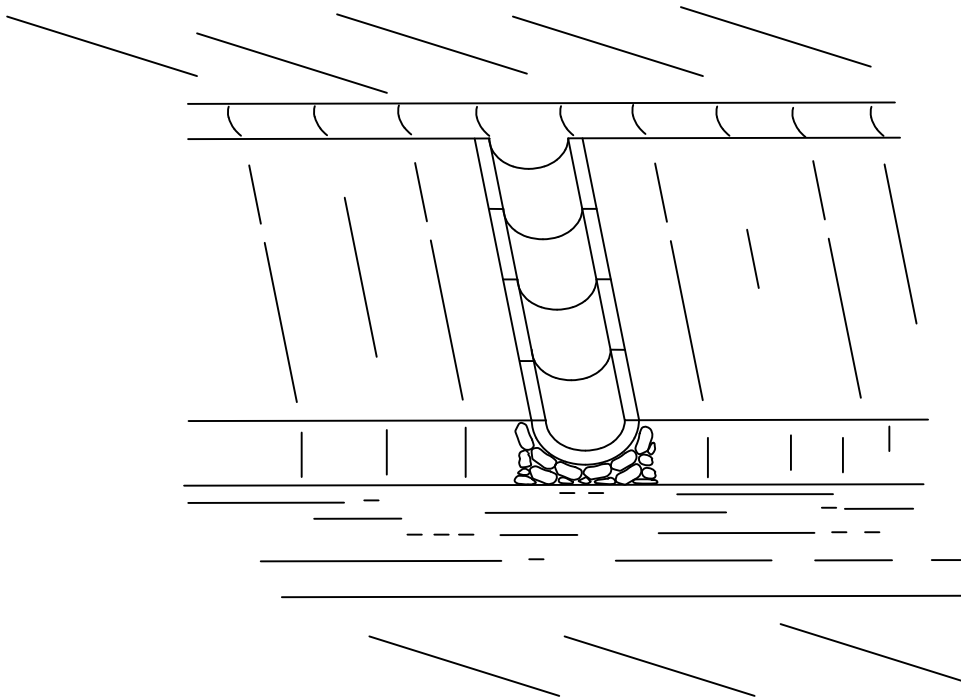


A CONDUIT TO CARRY RUNOFF DOWN A SLOPE THEREBY PREVENTING THE FORMATION OF RILLS OR GULLIES



- MAY BE A PAVED CHUTE, STEEL OR PLASTIC PIPE OR SECTIONAL PIPE
- DESIGN TO HANDLE A 10 YEAR STORM
- SUFFICIENT SLOPE TO PREVENT DEPOSIT OF SEDIMENT (MIN V OF 2 FT/SEC)
- OUTLET TO STABILIZED AREAS ONLY
- INSPECT FOR DAMAGE AFTER EACH RAINFALL EVENT UNTIL BANK IS STABILIZED



CITY OF CORDELE, GEORGIA - STANDARD DETAIL

**(Dn1) DOWNDRAIN
STRUCTURE**

DETAIL NO:

E-032

DATE: