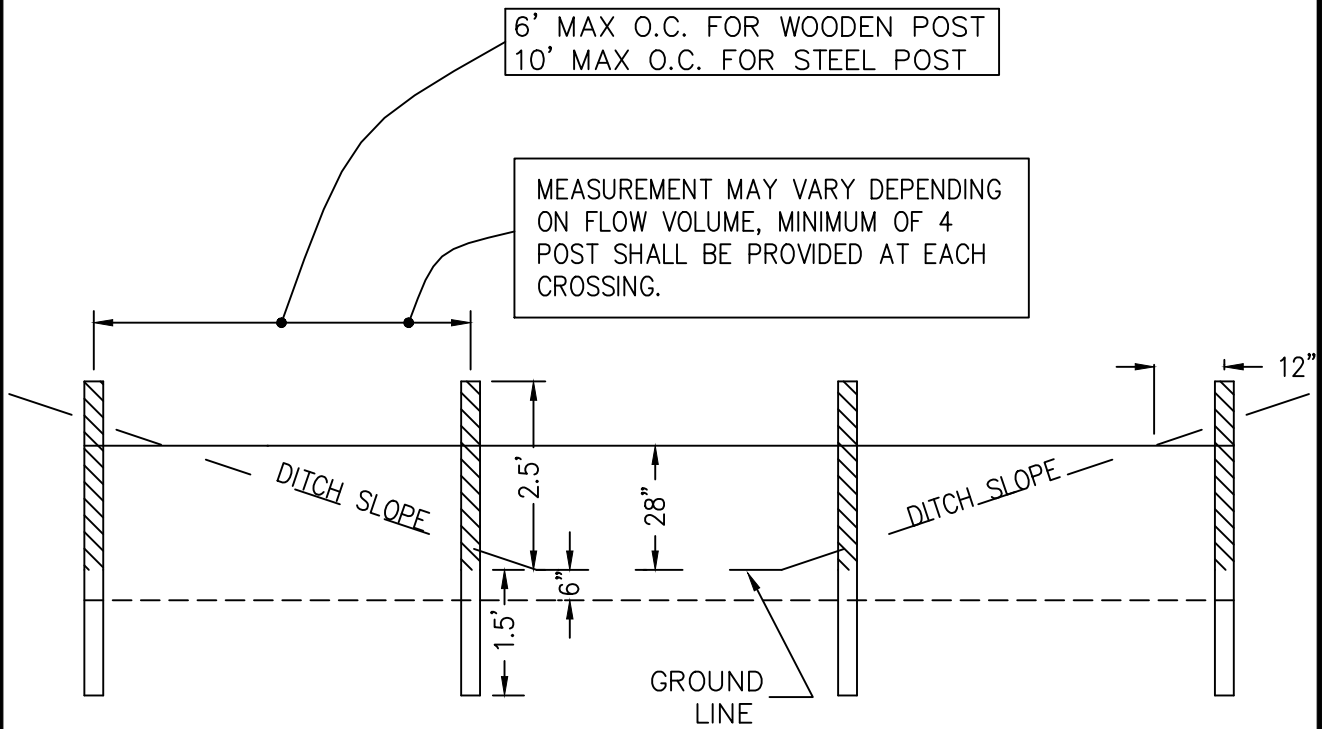
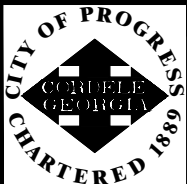


STANDARD DETAIL WHERE SILT FENCE CROSSES A DITCH



NOTE:
USE OTHER DETAILS IF SILT FENCE
IN PLACE LONGER THAN 6 MONTHS.



CITY OF CORDELE, GEORGIA - STANDARD DETAIL

**TEMP SILT FENCE
CROSSING DITCH**

DETAIL NO:

E-025

DATE: