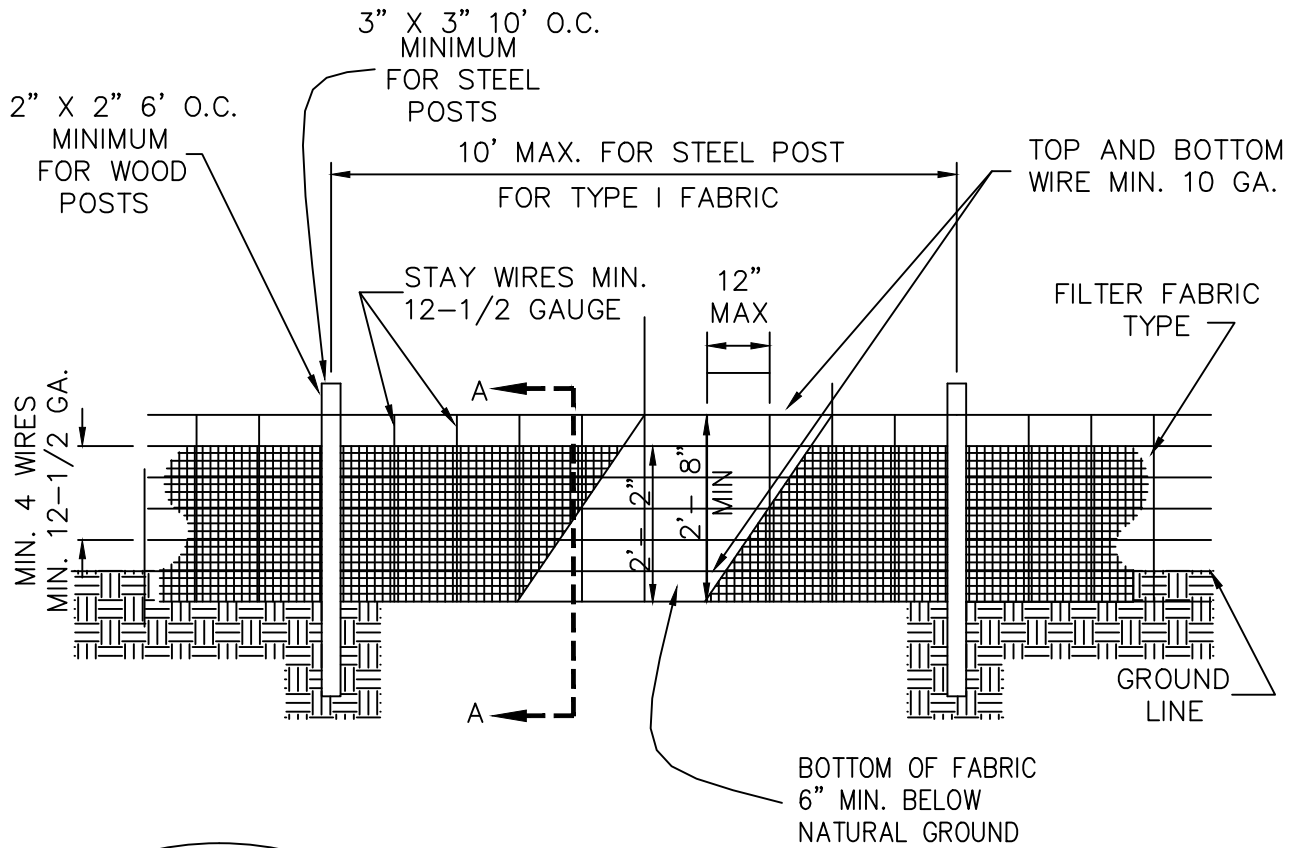
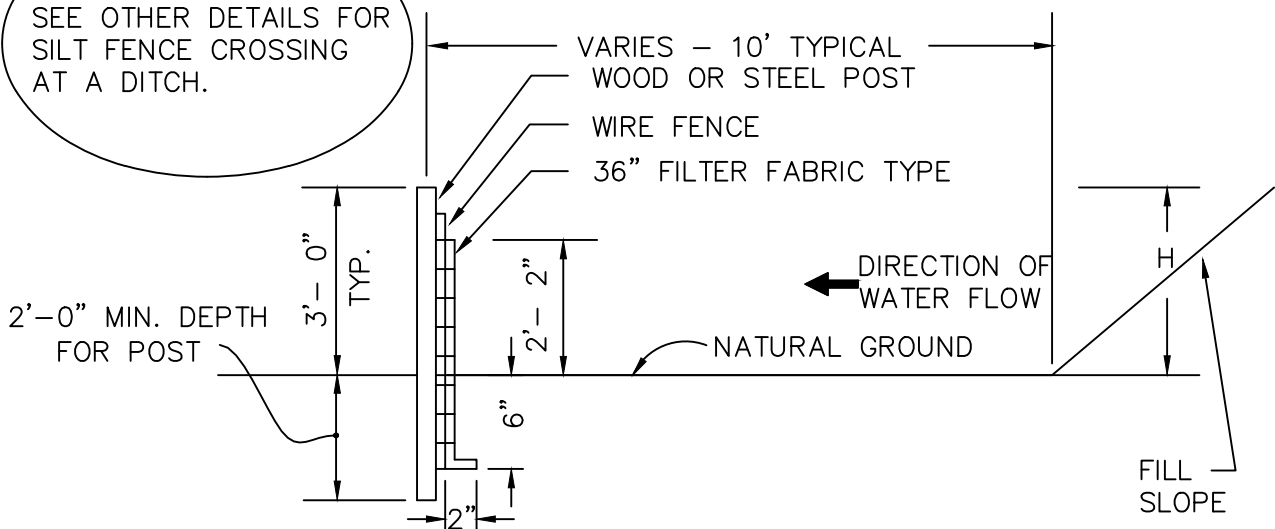


STANDARD DETAIL WHERE FENCE IS TO
BE IN PLACE LONGER THAN 6 MONTHS



NOTE:
SEE OTHER DETAILS FOR SILT FENCE CROSSING AT A DITCH.



SECTION A-A



CITY OF CORDELE, GEORGIA - STANDARD DETAIL
SILT FENCE FOR LONGER THAN SIX MONTHS

DETAIL NO:

E-024

DATE: