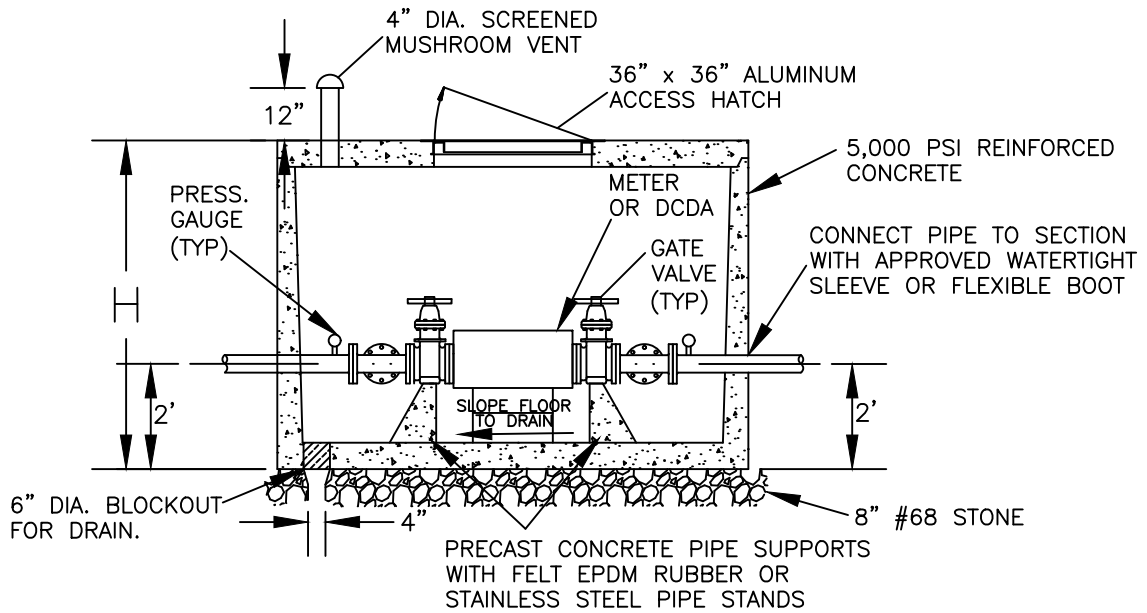


PLAN VIEW



SECTION VIEW

NOTES:

1. VAULT SHALL BE CONSTRUCTED TO ACCOMMODATE METER AS DETERMINED BY CITY OF CORDELE PUBLIC WORKS DEPARTMENT.
2. VAULT AND HATCH SHALL BE TRAFFIC RATED(H20) UNLESS OTHERWISE APPROVED.
3. THIS DRAWING TYPICAL FOR METER CONNECTIONS THREE INCHES AND LARGER.



CITY OF CORDELE, GEORGIA - STANDARD DETAIL

WATER VAULT

DETAIL NO:

W-008

DATE: