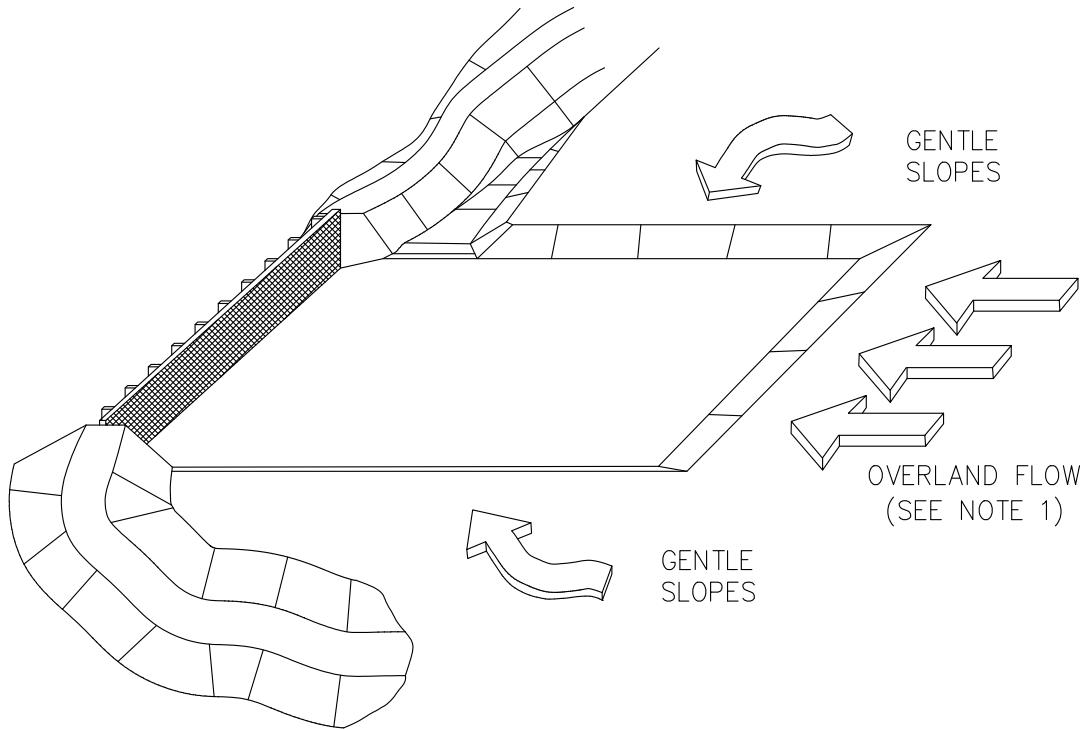


TEMPORARY SEDIMENT TRAP

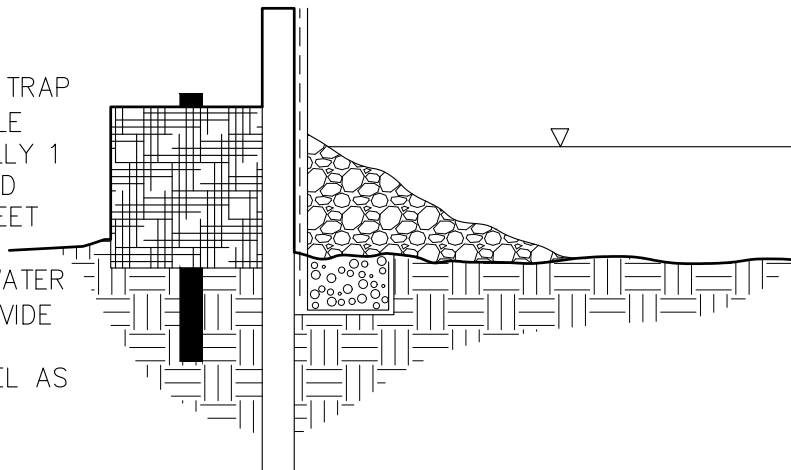
COURTESY OF CITY OF KNOXVILLE BMP EROSION AND SEDIMENT

COMBINATION OUTLET



NOTES:

1. MAXIMUM AREA FOR SEDIMENT TRAP WITH A SILT FENCE/STRAW BALE COMBINATION OUTLET IS USUALLY 1 ACRE WITH GENTLE SLOPES AND PREDOMINANTLY OVERLAND SHEET FLOW.
2. MAXIMUM DEPTH OF PONDED WATER IS USUALLY 12" OR LESS. PROVIDE EMERGENCY SPILLWAY BY CONSTRUCTING RIPRAP CHANNEL AS NECESSARY.



CITY OF CORDELE, GEORGIA - STANDARD DETAIL

**TEMPORARY SEDIMENT
TRAP COMBINATION OUT**

DETAIL NO:

E-021

DATE: