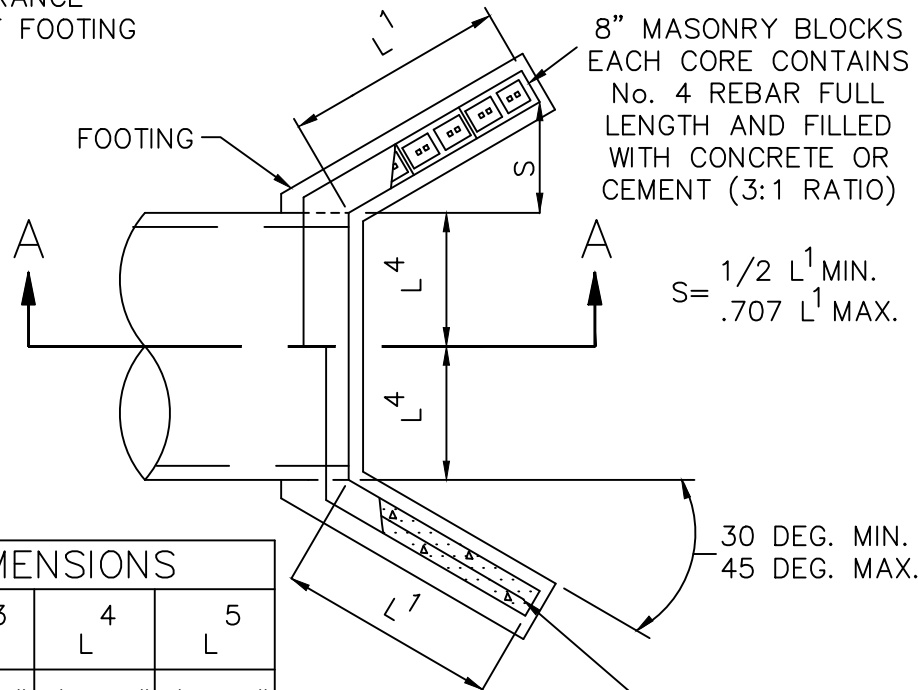


REINF. CONC. FOOTING
WITH 2 - No.4 REBARS
CONTINUOUS AND EQUALLY SPACED
3" MIN. CLEARANCE
FROM BOTTOM OF FOOTING

SECTION A-A



$$S = \frac{1}{2} L^1 \text{ MIN.}$$

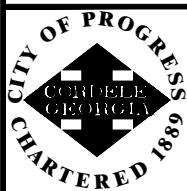
$$S = .707 L^1 \text{ MAX.}$$

30 DEG. MIN.
45 DEG. MAX.

REINFORCED CONCRETE
MIN. STRENGTH = 3,000 psi
No. 4 REBARS MAX. SPACING 12" o.c.
BOTH DIRECTIONS (HORIZONTAL &
VERTICAL) 1 1/2" CLEAR MIN.

HEADWALL DIMENSIONS

PIPE DIA.	1 L	2 L	3 L	4 L	5 L
12"	1'- 4"	2'- 0"	3'- 8"	0'- 10"	2'- 10"
15"	2'- 0"	2'- 8"	4'- 0"	1'- 0"	3'- 0"
18"	2'- 0"	3'- 8"	4'- 8"	1'- 2"	3'- 4"
21"	2'- 8"	4'- 0"	5'- 4"	1'- 3"	3'- 8"
24"	2'- 8"	4'- 0"	5'- 4"	1'- 6"	3'- 11"
30"	2'- 8"	5'- 4"	6'- 8"	1'- 10"	4'- 7"
36"	3'- 4"	6'- 8"	8'- 0"	1'- 10"	5'- 2"
42"	4'- 0"	8'- 0"	9'- 4"	2'- 2"	5'- 9"



CITY OF CORDELE, GEORGIA - STANDARD DETAIL

U TYPE HEADWALL

DETAIL NO:

D-009

DATE: