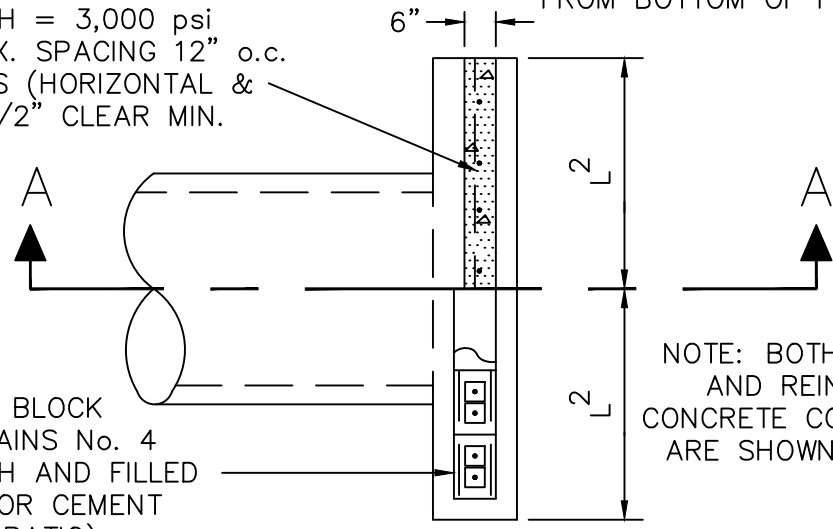


**SECTION A-A**

REINFORCED CONCRETE  
 MIN. STRENGTH = 3,000 psi  
 No. 4 REBARS MAX. SPACING 12" o.c.  
 BOTH DIRECTIONS (HORIZONTAL &  
 VERTICAL) 1 1/2" CLEAR MIN.

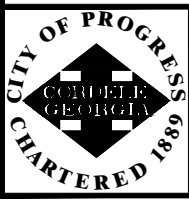


NOTE: BOTH MASONRY  
 AND REINFORCED  
 CONCRETE CONSTRUCTION  
 ARE SHOWN IN DETAIL

**HEADWALL DIMENSIONS**

PIPE DIA.	1 L	2 L	3 L	4 L	5 L
12"	1'- 4"	2'- 0"	3'- 8"	0'- 10"	2'- 10"
15"	2'- 0"	2'- 8"	4'- 0"	1'- 0"	3'- 0"
18"	2'- 0"	3'- 8"	4'- 8"	1'- 2"	3'- 4"
21"	2'- 8"	4'- 0"	5'- 4"	1'- 3"	3'- 8"
24"	2'- 8"	4'- 0"	5'- 4"	1'- 6"	3'- 11"
30"	2'- 8"	5'- 4"	6'- 8"	1'- 10"	4'- 7"
36"	3'- 4"	6'- 8"	8'- 0"	1'- 10"	5'- 2"
42"	4'- 0"	8'- 0"	9'- 4"	2'- 2"	5'- 9"

- GENERAL NOTES;  
 1. REINFORCING BARS MIN. YIELD STRENGTH = 40,000 psi.  
 2. THE MASONRY WALL SHALL HAVE HORIZONTAL JOINT REINFORCEMENT AT EVERY COURSE OR A HORIZONTAL BOND BEAM WITH TWO No. 4 BARS EVERY 16 INCHES.



**CITY OF CORDELE, GEORGIA - STANDARD DETAIL**

**STRAIGHT TYPE HEADWALL**

DETAIL NO:  
**D-007**  
 DATE: