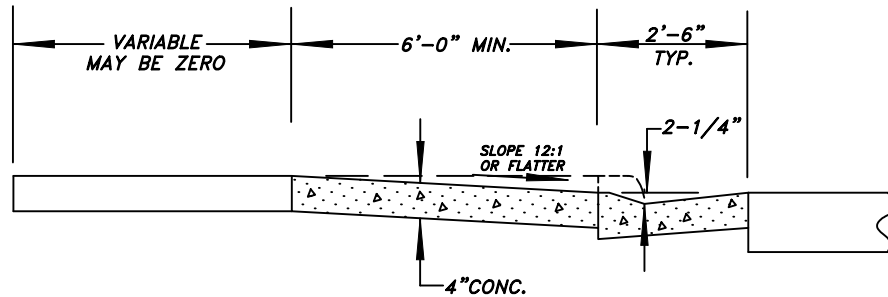


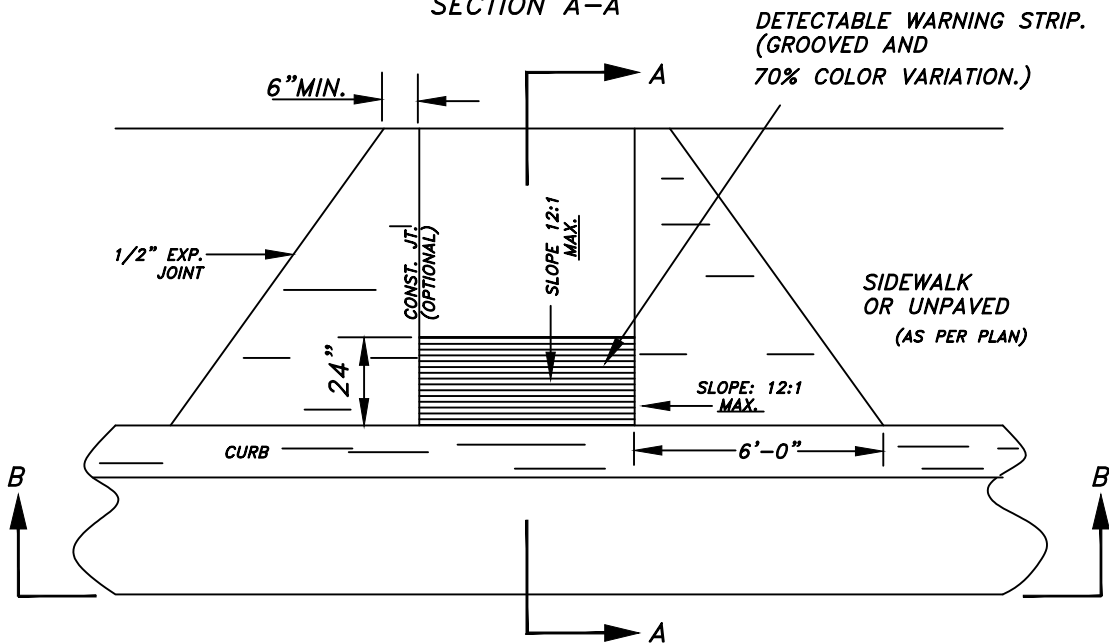
CURB CUT RAMP

I SIDEWALK EXTENDS TO BACK OF CURB

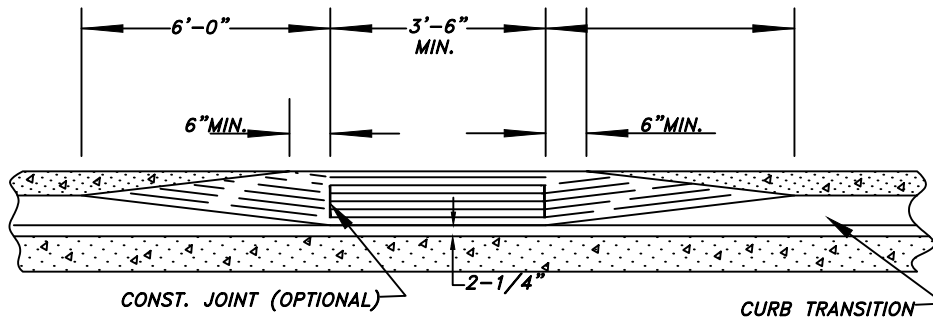
NO SCALE



SECTION A-A



PLAN VIEW



CITY OF CORDELE, GEORGIA - STANDARD DETAIL

**CURB CUT RAMP
TYPE B**

DETAIL NO:

P-017

DATE: