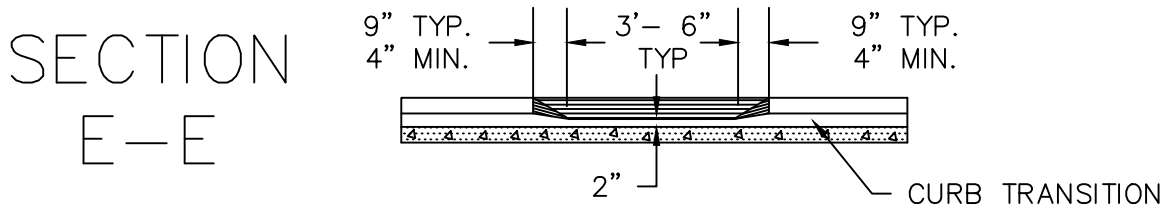
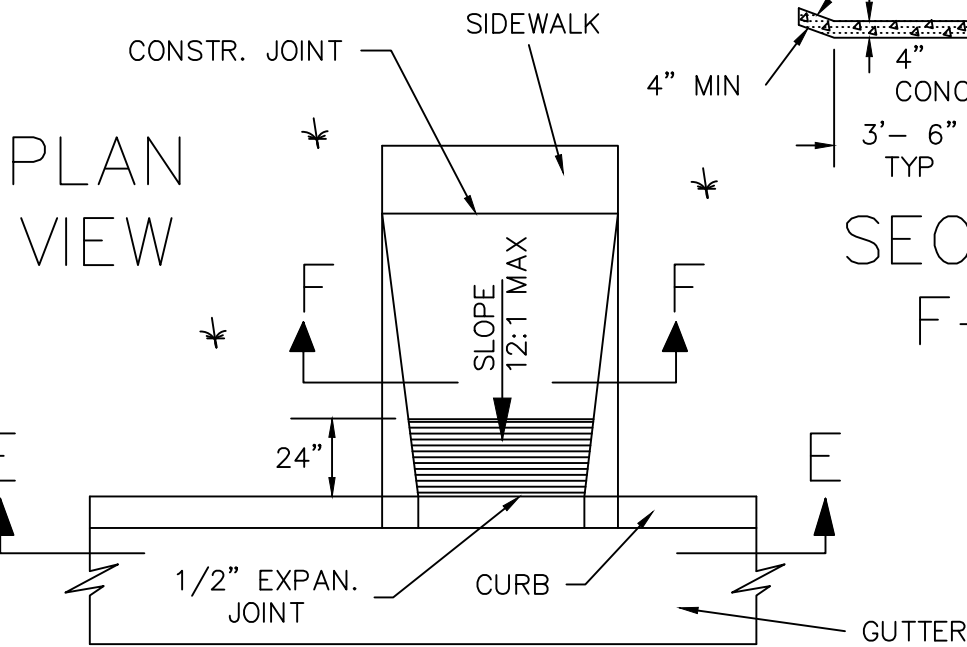


DETECTABLE WARNING STRIP.
(GROOVED AND 70% COLOR VARIATION.)



CITY OF CORDELE, GEORGIA - STANDARD DETAIL

**CURB CUT RAMP
TYPE A**

DETAIL NO:

P-016

DATE: