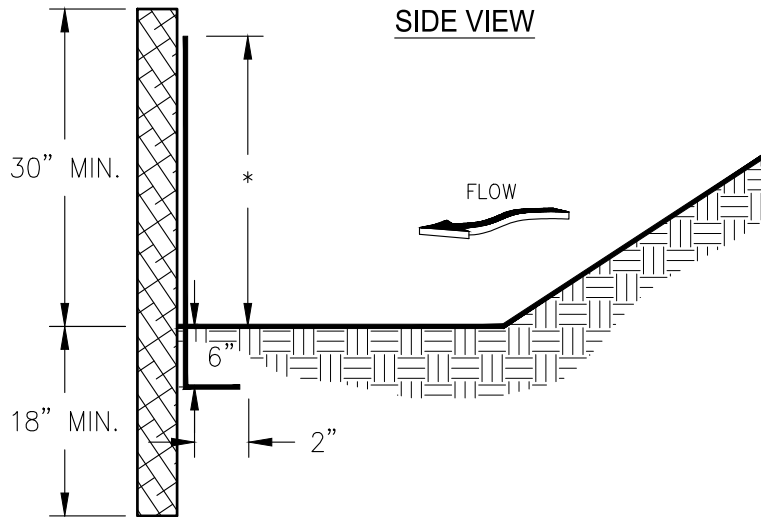
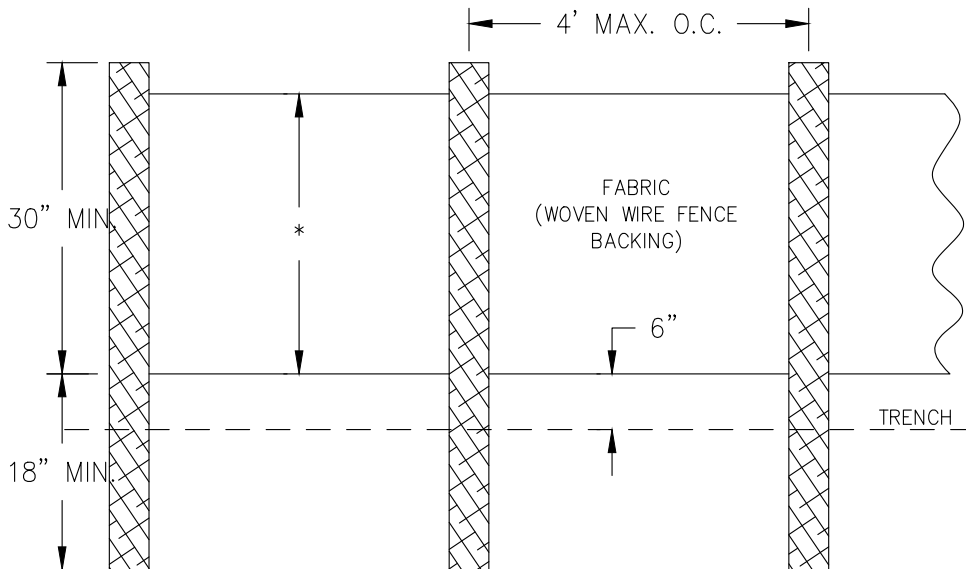


SILT FENCE - TYPE SENSITIVE



FRONT VIEW



NOTES:

1. USE STEEL OR WOOD POSTS OR AS SPECIFIED BY THE EROSION, SEDIMENTATION, AND POLLUTION CONTROL PLAN.
2. HEIGHT (*) IS TO BE SHOWN ON THE EROSION, SEDIMENTATION, AND POLLUTION CONTROL PLAN.



CITY OF CORDELE, GEORGIA - STANDARD DETAIL

SILT FENCE - TYPE SENSITIVE

DETAIL NO:

E-001

DATE: