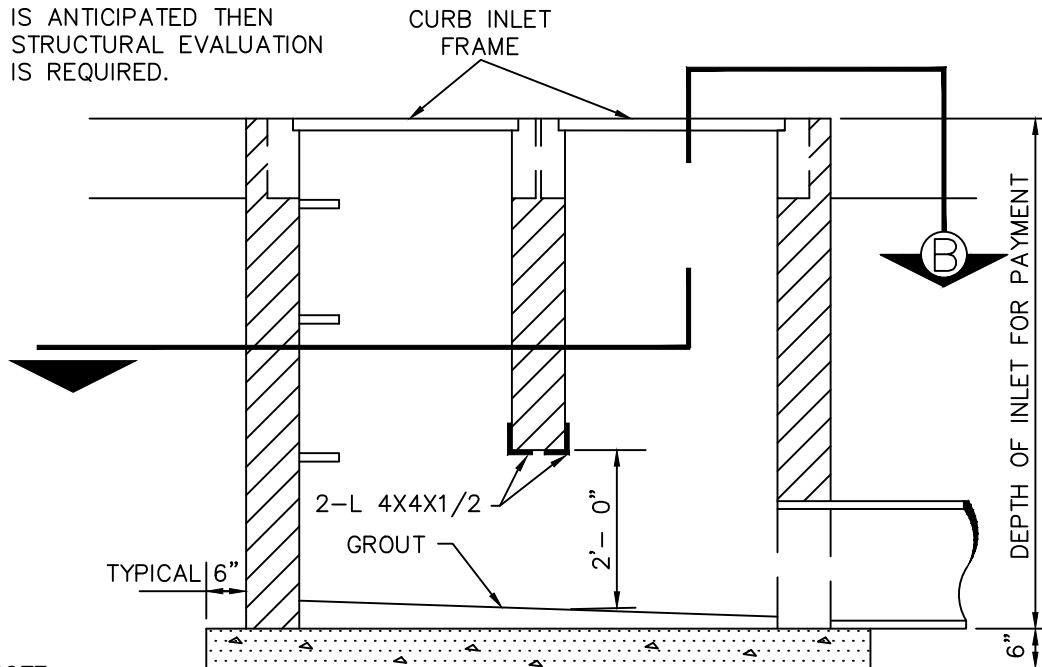


SECTIONAL PLAN **(B)**

NOTE:
IF HEAVY TRAFFIC
IS ANTICIPATED THEN
STRUCTURAL EVALUATION
IS REQUIRED.



NOTE:

1. CORBEL SIDES AS NECESSARY TO ACCOMMODATE PIPES IN EXCESS OF 18" DIAMETER.
2. INVERT NEEDED WHEN USED AS MANHOLE
3. STEPS NECESSARY ON DEPTH OF INLET OVER 4 FT.
4. MOTOR GRADER BLADES NOT ALLOWABLE UNLESS APPROVED BY CITY ENGINEER.



CITY OF CORDELE, GEORGIA - STANDARD DETAIL

DOUBLE CURB INLET

DETAIL NO:

D-004

DATE: